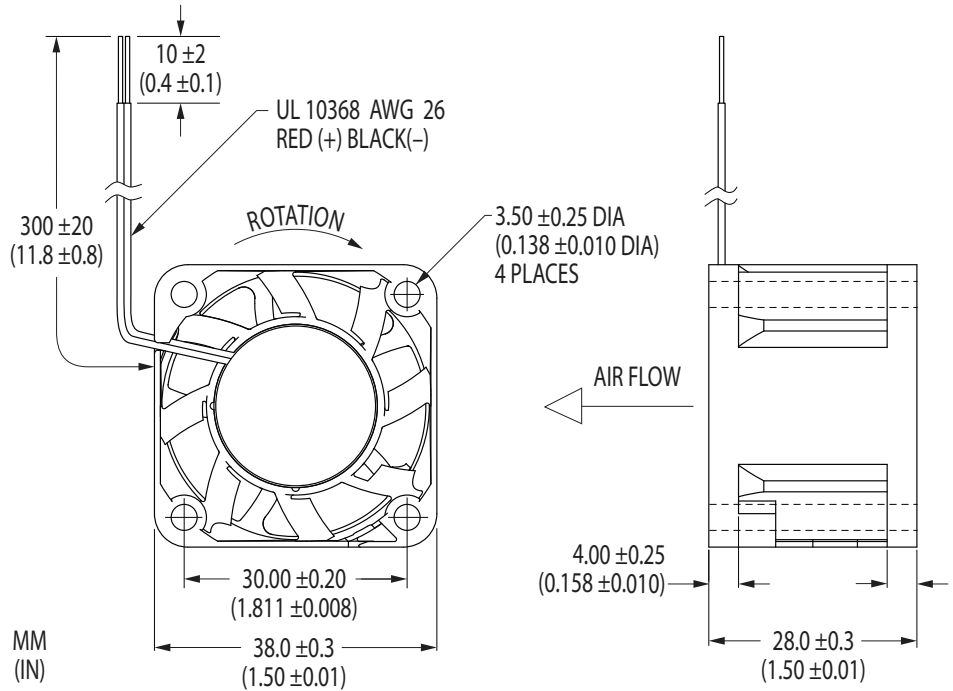


38x28mm



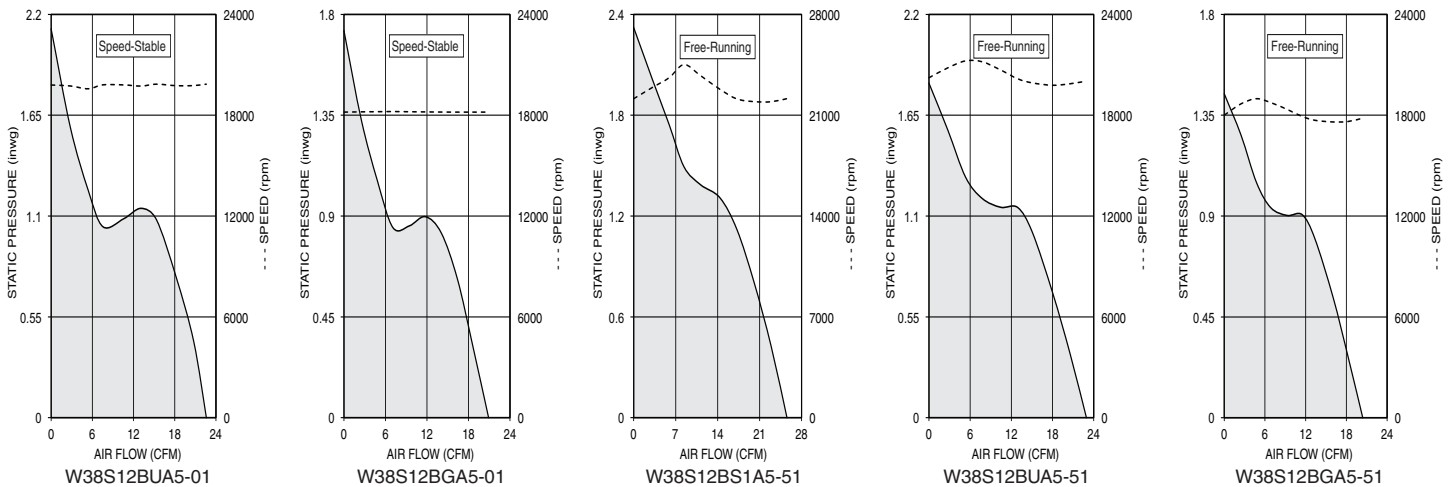
W38S Series

- ✓ Free-Running and Feedback-Governed, Speed-Stable Models
- ✓ Air Flow to 26 CFM, Static Pressure Ratings to 2.2 inwg
- ✓ Variety of Monitor and Control Options, Signal Combinations
- ✓ Dual Ball Bearings



Vane Axial Cooling Fans

Model	Air Flow (CFM)	Max. Static Pressure (inwg)	Operating Voltage		Operating Current (A)	Input Power (W)	Fan Speed (rpm)	Sound Pressure (dBA)	Operating Temp.		L10 Life† (hours)
			Nominal (V)	Range (V)					Min. (°C)	Max. (°C)	
Speed-Stable											
W38S12BUA5-01	23	2.12	12	7.0-13.8	0.70	8.4	20,000	58.5	-10	+70	—
W38S12BGA5-01	21	1.73	12	7.0-13.8	0.59	7.1	18,000	54.8	-10	+70	—
Free-Running											
W38S12BS1A5-51	26	2.32	12	7.0-13.8	1.00	12.0	22,000	61.0	-10	+70	70,000
W38S12BUA5-51	23	1.83	12	7.0-13.8	0.70	8.4	20,000	58.5	-10	+70	—
W38S12BGA5-51	21	1.45	12	7.0-13.8	0.59	7.1	18,000	54.8	-10	+70	—



NOTES: Air flow, current, speed and sound pressure ratings are at nominal operating voltage and zero static pressure. Current and power ratings are average expected values under those conditions. † L10 bearing life expectancy at T_A = +40°C. ® UltraFlo is a registered trademark of Nidec Corporation. N/BCAE

All for dreams

Nidec America Corporation · phone 781-848-0970 · email fans@nidecamerica.com · www.nidecamerica.com